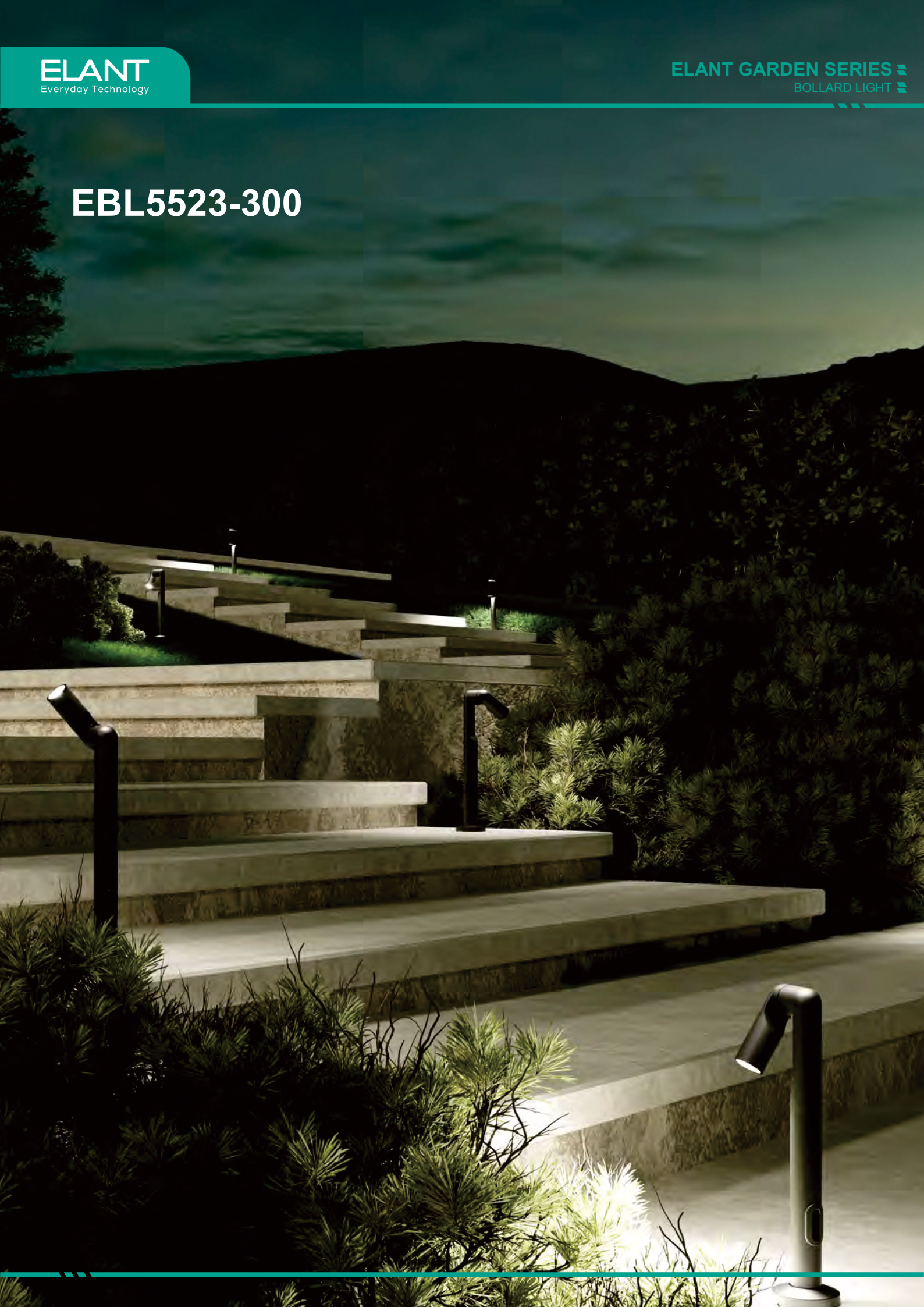


# EBL5523-300





# EBL5523-300



### APPLICATIONS

- Lawns and gardens
- Paths
- Parking areas

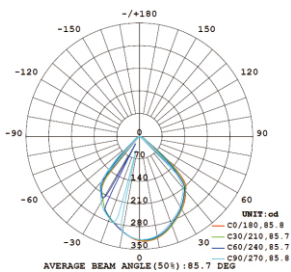
### CONSTRUCTION

- Die-casting aluminum
- Tempered clear glass diffuser
- Epoxy polyester powder coating
- Silicone gasket
- Stainless steel screws
- Adjustable lamp head design
- Body color: Graphite (RAL7024)

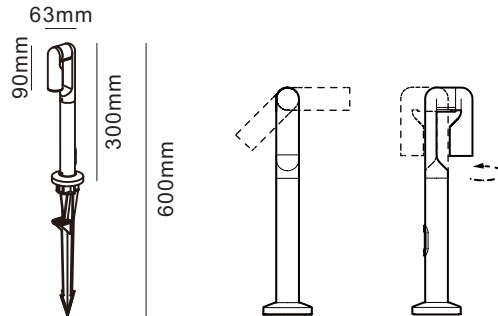
### TECHNICAL DETIALS

- PF: 0.75
- LED source: CREE 1304
- LED source quantity: 1
- Rated life: 50,000 hours
- Operating Temp: -20°C~+55°C

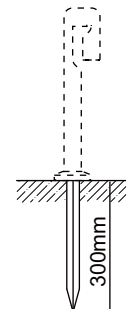
### PHOTOMETRIC CURVES



### DIMENSION



### STANDARD ACCESSORIES



Plastic spike

Model	Input	Power	CCT	Lumen	CRI	BA
EBL5523-300	220-240V	5.5W	3000K	490lm	>80	86°