

**EBL5495-300**  
**EBL5495-650**





EBL5495-300



EBL5495-650

# EBL5495-300

# EBL5495-650



### APPLICATIONS

- Lawns and gardens
- Paths
- Parking areas

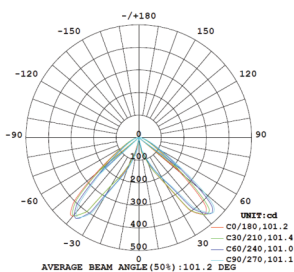
### CONSTRUCTION

- Die-casting aluminium,
- Clear PMMA diffuser
- Epoxy polyester powder coating
- Silicone gasket
- Stainless steel screws
- Body color: Graphite (RAL7024)

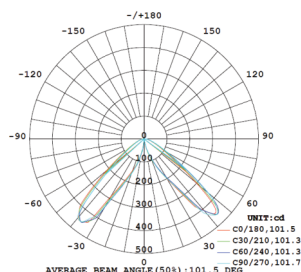
### TECHNICAL DETIALS

- PF: 0.9
- LED source: Lumileds 4014
- LED source quantity: 48
- Rated life: 50,000 hours
- Operationg Temp: -20°C~+55°C

### PHOTOMETRIC CURVES

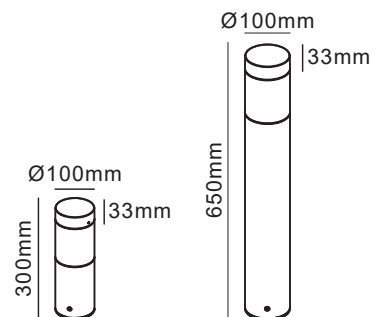


EBL5495-300



EBL5495-650

### DIMENSION



Model	Input	Power	CCT	Lumen	CRI	BA
EBL5495-300	220-240V	10W	3000K	850lm	>80	100°
EBL5495-650	220-240V	10W	3000K	850lm	>80	100°