

EBL5266-700





EBL5266-700



APPLICATIONS

- Lawns and gardens
- Paths
- Parking areas

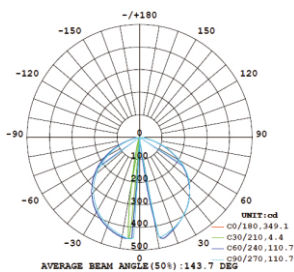
CONSTRUCTION

- Die-casting aluminum
- Tempered clear glass diffuser
- Epoxy polyester powder coating
- Silicone gasket
- Stainless steel screws
- Adjustable lamp head design
- Body color: Graphite (RAL7024)

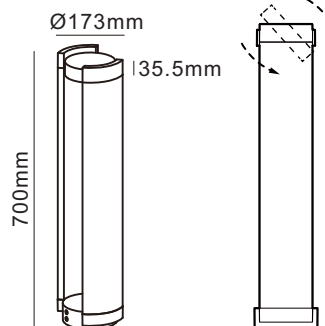
TECHNICAL DETAILS

- PF: 0.95
- LED source: Lumileds 4014
- LED source quantity: 48
- Rated life: 50,000 hours
- Operating Temp: -20°C~+55°C

PHOTOMETRIC CURVES



DIMENSION



| Model | Input | Power | CCT | Lumen | CRI | BA |
|-------------|----------|-------|-------|-------|-----|------|
| EBL5266-700 | 220-240V | 9.5W | 3000K | 630lm | >80 | 165° |