



LED CLE



APPLICATIONS

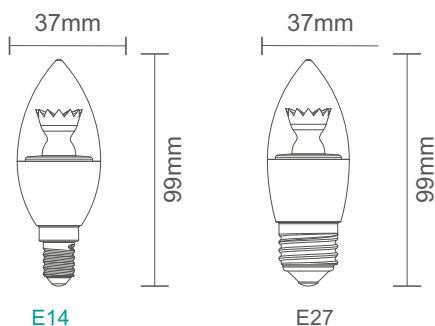
- To replace conventional candle lamps in fittings with E14/E27 lampholders

TECHNICAL DETAILS

- SMD LED
- Rated life: 25,000 hours

CONSTRUCTION

- Plastic coated aluminium housing



Model	Input	Power	CCT	Lumen	PF	CRI
LED CLE	220-240V	5W	2700K/3000K 4000K/6500K	475lm	>0.7	≥80