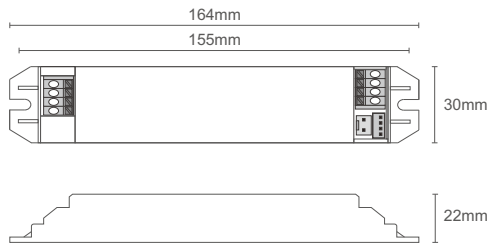




# ELE50 ELE200

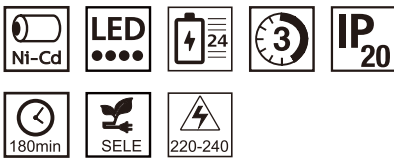


## Dimension



## Relevant standard

IEC 61347-1  
IEC 61347-2-7  
EN 55015  
EN 61547  
EN 61000-3-2  
EN 61000-3-3



## Product description

- LED emergency converter that can transfer standard LED fitting into emergency LED fitting.
- Used with Ni-Cd battery.
- Suits for LED fitting with external led driver.
- Accessory: test switch and charge indicator.

## Applications

- Use in damp and dry environment.
- For use on a wide range of LED fittings to convert them from standard to emergency fitting.
- It can be maintained or non-maintained emergency version.
- Additional Relay that can control standard LED driver.
- Deep discharge protection.
- Connector between emergency kit and battery has the function of polarity reversal protection.
- Ambient range ta 0...50°C
- IP20 protection, relies on end-product enclosure for protection against accidental contact live parts.
- Not intended for use in luminaries for high-risk task area lighting.
- Warranty 2 years.

## Ordering data

Model No.	E.M Power	Duration	Battery Pack
ELE50-3W	DC10-50V 3W	3 Hours	Ni-Cd4.8V 3.0Ah
ELE200-3W	DC50-200V 3W	3 Hours	Ni-Cd4.8V 3.0Ah

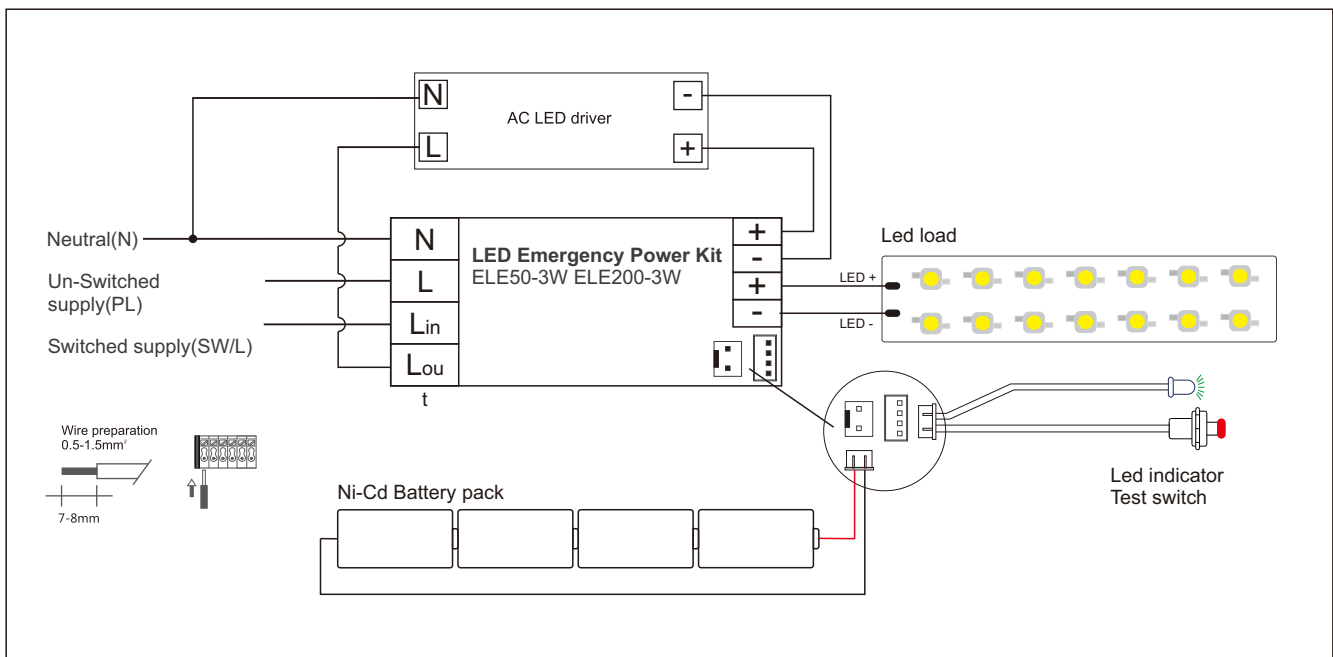
## Technical data

Item	ELE50-3W	ELE200-3W
Rated input voltage	220-240VAC,50/60Hz	220-240VAC,50/60Hz
Input current	20mA	20mA
Input power	2.5W	2.5W
Power factor	0.5	0.5
Lin/Lout (LED driver input constant)	AC 3A Max	AC 3A Max
Output voltage range	DC10...50V, Uout:55V Max	DC50...200V, Uout:230V Max
Output power (Constant power)	3W	3W
Output current	60-300mA	15-60mA
Battery pack voltage/capacity	Ni-Cd 4.8V 3000mAh	Ni-Cd 4.8V 3000mAh
Recharge current	150mA	150mA
Recharge time	24hours	24hours
Duration	180 minutes	180 minutes
AC LED driver output(output +/-)	DC50V 2A Max	DC200V 1.0A Max
Lumen factor	130lm/W	130lm/W
Max. casing temperature tc	80°C	80°C

## Install

- Installed on the back of the panel requires safety and fixation.
- Only professional people (e.g. electrical Engineer) can wire it.
- Please confirm that the electrical parameters of this product match with the luminaire.
- Please check the wiring method carefully before installation.
- Please power off mains supply before installation, and confirm the wiring is correct, then connect the battery, the last step is to turn on mains supply.

## Wiring



## Test switch

Emergency power Kit will go into emergency mode if test switch is pressed when main supply is on, while it will go into charging mode if test switch is not pressed.

## LED indicator

It can reflect charging or not charging.

LED charging monitor will be light if battery is connected while it will be off without battery connecting.



## - Attention

- 
- To guarantee the rated discharge time, please charge the battery for more than 24 hours. Please ensure that the voltage is 80% higher than the rated voltage, less than 110% of the highest rated voltage.
- Charge and discharge cycle needs to be done at least once every three months, and the continuous charging time can not exceed 3 months.
- 

## Warranty

- Warranty 2 years
- Except for the following circumstances:
  - 1) Improper installation or operation.
  - 2) Misuse.
  - 3) Abuse.
  - 4) Unauthorized or improper repair alteration.
  - 5) Accident or negligence in use, storage, transportation.
  - 6) Any natural acts.